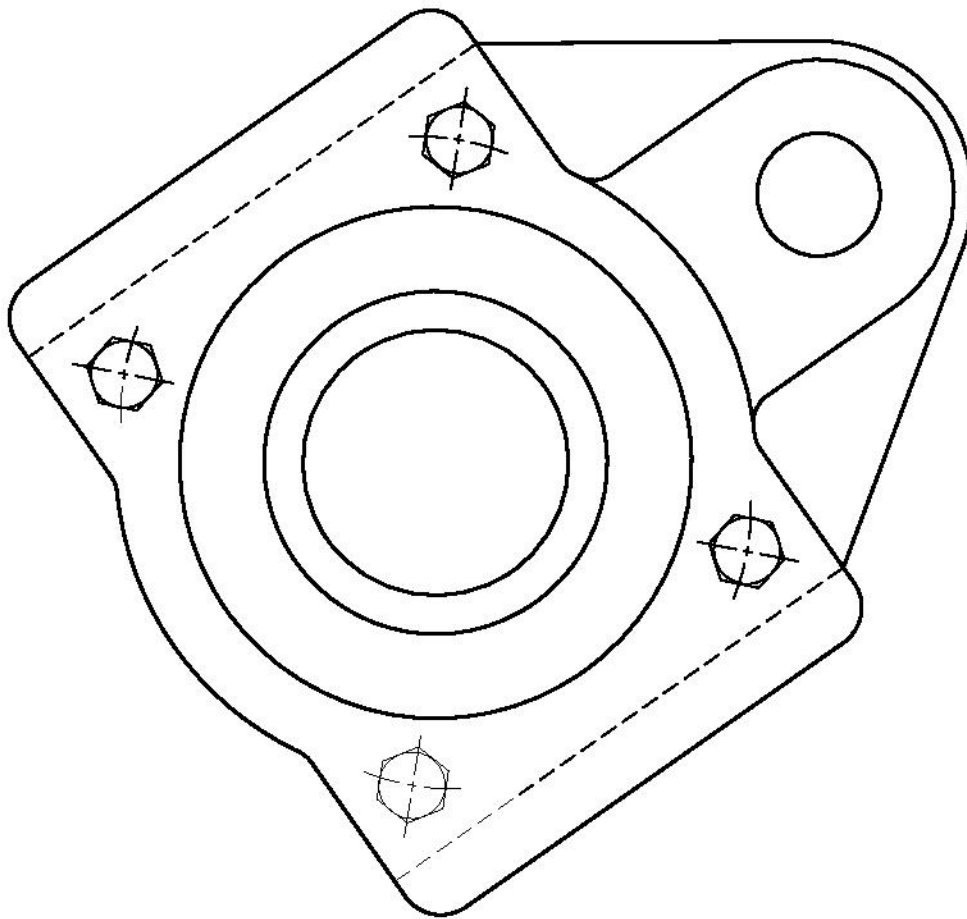
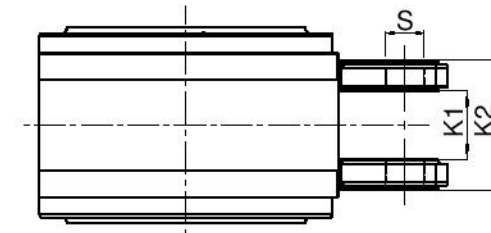
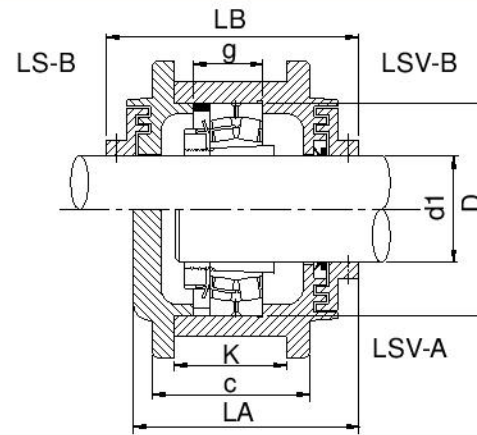
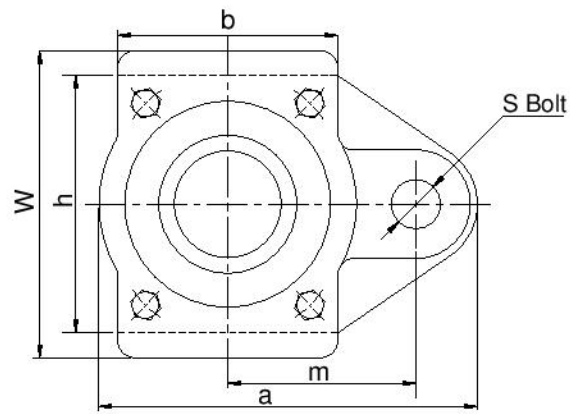


GLH

more than standard...

THM
Spannkopflager
Take-up Housing





Artikel Item	Welle d1	D	a	b	m	g mm	h	w	c	L	S	R	x	K	K1	K2	Gew. kg	Lager Bearing	Hülsen Sleeves	Festringe locatingrings	Menge Qty.	
THM513-LS	60	120	215	115	110	43,0	150	170	85	100	M20	25	30	67	32	60	8,6	1213K	H213	FR120x10	2	
																		2213K	22213K	H313	FR120x12	1
THM516-LS	70	140	265	140	135	43,0	195	220	105	120	M20	30	36	78	40	75	16,2	1216K	H216	FR140x8,5	2	
																		2216K	22216K	H316	FR140x10	1
THM518-LS	80	160	273	150	140	62,4	195	220	105	135	M20	30	42	78	40	75	19,6	1218K	H218	FR160x16,2	2	
																		2218K	22218K	H318	FR160x11,2	2
THM520-LS	90	180	320	150	165	70,3	210	250	123	150	M24	35	45	93	45	90	23,2	22220K	H320	FR180x12,1	2	
THM522-LS	100	200	360	160	180	80,0	240	280	130	160	M24	50	51	93	45	100	27	22222K	H322	FR200x13,50	2	
THM524-LS	110	215	384	216	200	86,0	255	286	133	165	M35	44		97	45	94	39	22224K	H3124	FR215x14	2	
THM528-LS	125	250	425	222	220	98,0	305	330	146	189	M40	50		103	50	100	45	22228K	H3128	FR250x15	2	
THM532-LS	140	290	470	280	235	114,0	340	370	167	201	M50	57		93	51	120	58	22232K	H3132	FR290x17	2	