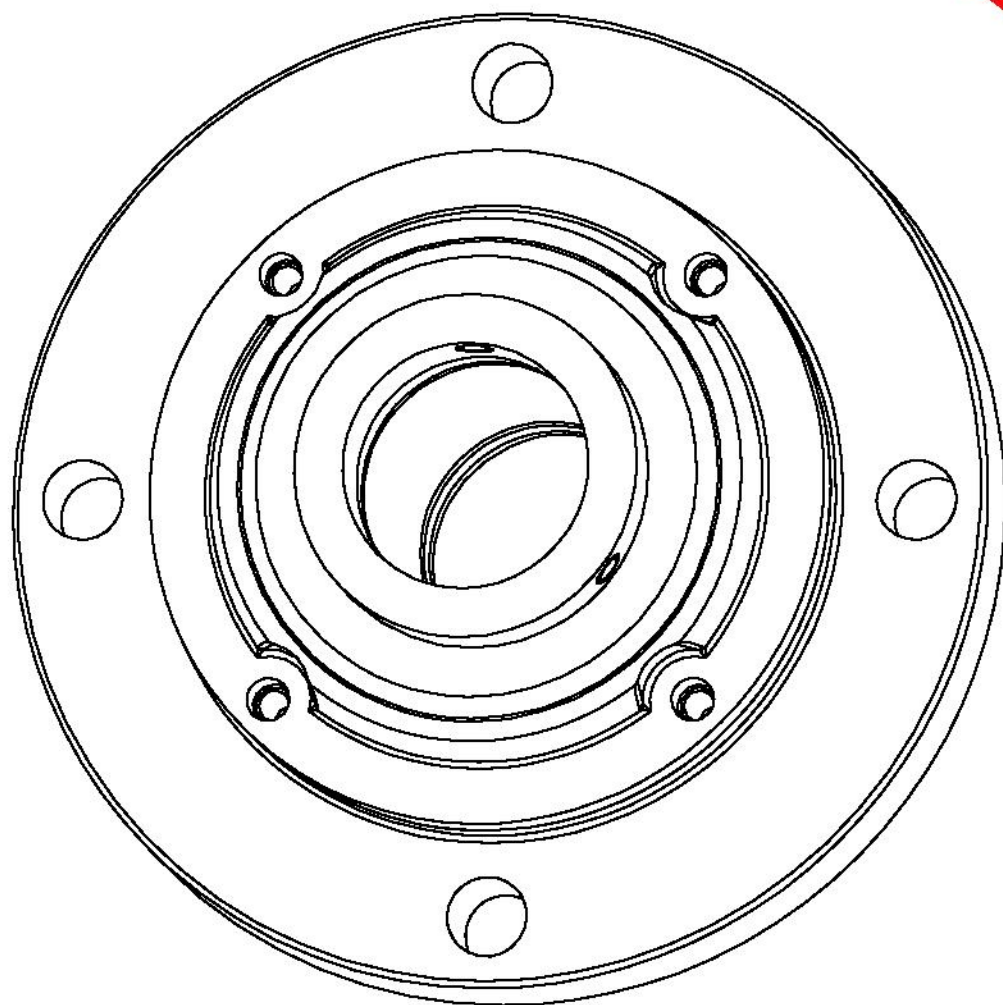
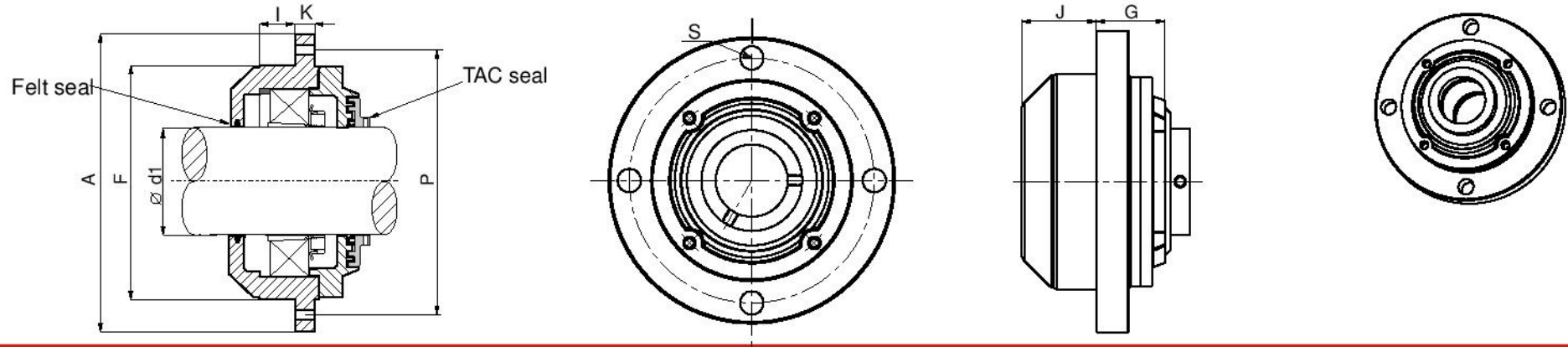


GLH

more than standard...

RSFH-Serie





Reference Teilnummer Reference Referencia	Dimensions Abmessungen Dimensions Dimensiones													Bearing Walzlager Roulement Rodamiento	Adapter sleeve	Basic dyn cap.		
	d1	A	P	F	J	E	G	K	I	4-S	6-S	kN	no.			Qty.		
RSFH508	35	152	130	108	40	92,0	36	17	24	12	-	M10	22208K	H308	79,0	FR80x10	1	
RSFH509	40	159	136	114	40	97,0	36	17	21	13	-	M12	22209K	H309	82,5	FR85x8	1	
RSFH510	45	162	136	118	46	97,0	35	17	24	13	-	M12	22210K	H310	86,0	FR90x10	1	
RSFH511	50	181	152	127	49	107,5	38	19	22	15	-	M12	22211K	H311	93,5	FR100x8	1	
RSFH513	60	197	165	145	53	117,0	43	19	30	15	-	M12	22213K	H313	143,0	FR120x12	1	
RSFH515	65	222	190	164	52	134,5	47	24	25	17	-	M16	22215K	H315	166,0	FR130x10	1	
RSFH516	70	235	200	175	54	142,0	53	25	27	17	-	M16	22216K	H316	179,0	FR140x10	1	
RSFH517	75	251	219	186	59	155,0	56	24	32	20	-	M16	22217K	H317	206,0	FR150x10	1	
RSFH518	80	270	229	200	57	162,0	61	28	33	22	-	M20	22218K	H318	256,0	FR160x11,2	2	
RSFH520	90	276	245	206	59	173,0	62	29	38	22	-	M20	22220K	H320	310,0	FR180x12,1	2	
RSFH522	100	335	292	250	70	206,5	71	29	47	22	-	M20	22222K	H322	410,0	FR200x13,5	2	
RSFH524	110	355	304	265	74	152,0	73	32	39	-	22	M20	22224K	H3124	485,0	FR215x14	1	
RSFH526	115	374	324	280	73	162,0	78	32	44	-	26	M24	22226K	H3126	565,0	FR230x13	1	
RSFH528	125	410	343	300	76,5	171,5	76	32	47,5	-	26	M24	22228K	H3128	680,0	FR250x15	1	