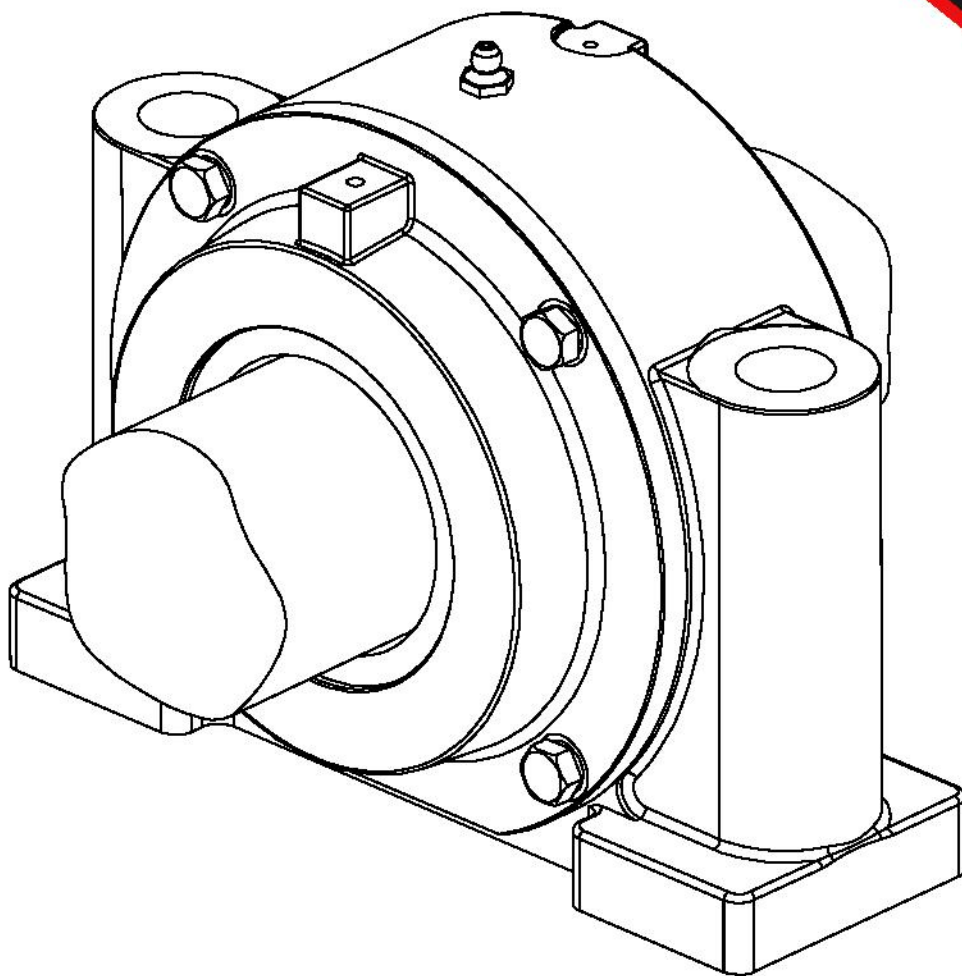
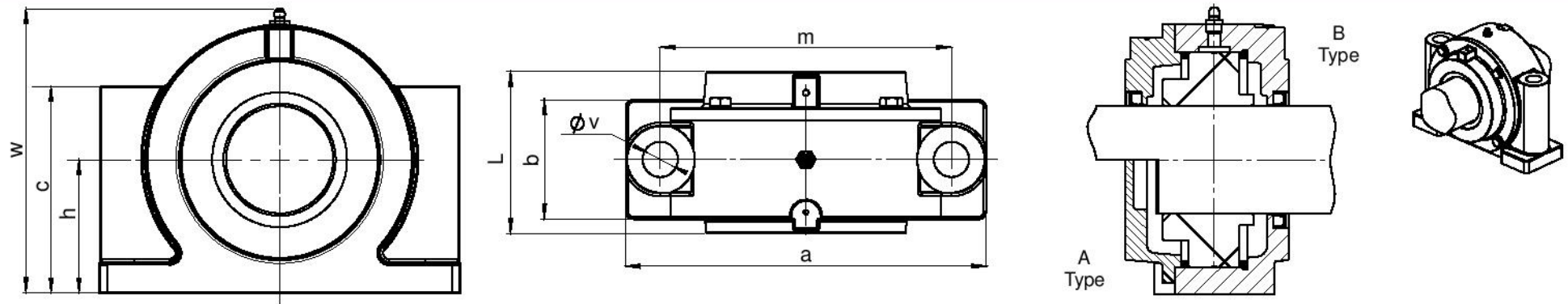


# GLH

*more than standard...*

Rollgangslager  
MSB-Serie





Teilnummer Reference Reference Referencia	Welle Shaft Arbre Eje	Abmessungen Dimensions Dimensions Dimensiones										Schrauben Bolt Vis Tornillo	Gewicht Weight Poids Peso	Wälzlager Bearing Roulement Rodamiento	Spannhülse Sleeve Manchon Manguito	Festringe Locating ring Bagua d'arrêt Anillo- Guía	Stück Qty. Quantité Cantidad	Abdichtungen Seals Etanchetés Obturación tipos
	d	D	a	m	L	b	w	h	c	g	v	kg			FR		Oil seal	

MSB509	40	85	135	108,0	82	58	118	50,8	91	30	M12	3,00	1209K 2209K 22209K	H209 H309	85x5.5 85x3,5	2 2	OSM09
MSB510	45	90	140	111,0	84	56	124	54,0	92	41	M12	3,10	1210K 2210K 22210K	H210 H310	90x10.5 90x9	2 2	OSM10
MSB511	50	100	160	123,8	89	66	135	58,7	105	44	M16	4,50	1211K 2211K 22211K	H211 H311	100x11.5 100x9.5	2 2	OSM11
MSB513	60	120	185	146,0	99	78	158	69,9	125	51	M16	6,10	1213K 2213K 22213K	H213 H313	120x14 120x10	2 2	OSM13
MSB515	65	130	195	155,6	102	80	170	76,2	136	56	M16	6,50	1215K 2215K 22215K	H215 H315	130x15.5 130x12.5	2 2	OSM15
MSB516	70	140	235	190,0	106	78	182	82,6	131	58	M20	9,00	1216K 2216K 22216K	H216 H316	140x16 140x12.5	2 2	OSM16
MSB517	75	150	255	204,0	112	86	194	88,9	137	61	M20	10,20	1217K 2217K 22217K	H217 H317	150x16.5 150x12.5	2 2	OSM17
MSB518	80	160	275	222,2	133	101	210	98,4	154	65	M20	12,40	1218K 2218K 22218K	H218 H318	160x17.5 160x12.5	2 2	OSM18
MSB520	90	180	300	241,3	151	112	231	108,0	178	70	M24	17,50	2220K 22220K	H320	180x12	2	OSM20
MSB520	100	200	324	260,4	155	122	255	120,7	203	80	M30	20,50	2222K 22222K	H322	200x13.5	2	OSM22