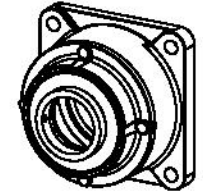
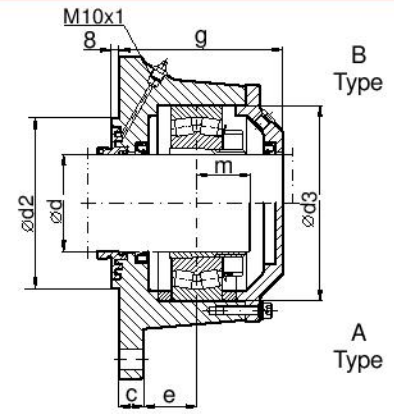
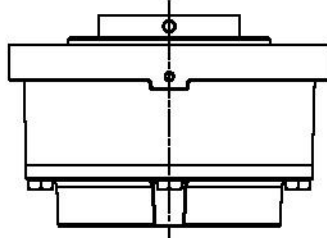
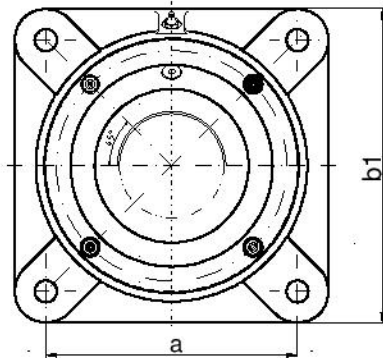


GLH

more than standard...

Flanschlagergehäuse
FL-Serie





Ⓚ	Teilnummer	Welle	Abmessungen	Gewicht	Festringe	Stück	Radial-Wellendichtringe	Wälzlager	Spannhülse	Schniernippel
Ⓛ	Reference	Shaft	Dimensions	Weight	Locating rings	Qty.	Radial shaft seals	Bearing	Sleeve	Grease Bore
Ⓜ	Reference	Arbre	Dimensions	Poids	Bagua d'arrêt	Quantité	Joints radiaux	Roulement	Manchon	Trous de Graissage
Ⓝ	Referencia	Eje	Dimensiones	Peso	Anillo- Guia	Cantida	Retenes radiales de eje	Rodamiento	Manguito	Agujeros de

	mm										kg	FR	O-Ring							
	d	a	b1	b2	c	d2h10	d3H7	e	f	g							m	u		
FL40	40	110	150	31	20	95	85	43,5	13	93	30	13	8	85x6	2	40x52x7	40x4	22209K	H309	M10X1
FL50	50	130	170	37	20	110	100	45,5	13	95	30	13	10	100x6	2	50x65x8	50x4	22211K	H311	M10X1
FL65	65	160	210	47	25	125	130	52,5	17	108	35	17	17	130x8	2	65x80x8	65x4	22215K	H315	M10X1
FL80	80	190	235	60	25	140	160	62	17	130	45	17	27	160x10	2	80x100x10	80x4	22218K	H318	M10X1
FL100	100	240	300	80	25	175	200	80	21	163	55	21	50	200x13,5	2	100x125x12	100x4	22222K	H322	M10X1
FL125	125	270	318	78	20	200	250	62	22	161	65	22	63	250x10	2	125x150x12	125x4	22228K	H3128	M10X1